



MEGO AFEK
AC LTD.



Lympha Press® Garments Catalog



Index

Introduction.....	01
Choosing A System For The Lower Body.....	02
Choosing A System For The Upper Body.....	03
Lympha Press® Leg Garments.....	04-06
Lympha Press® Arm Garments.....	07
Lympha Pants®, PCD Pants™ and PCD Pants Lite™.....	08-09
Lympha Pod®.....	10-11
ComfySleeve™ 1-75 and ComfyLite™.....	12-13
Lympha Jacket™.....	14-15
Garment Fitting Tips.....	16
Pants and Lympha Pod® Measuring Form.....	17
Leg Sleeve Measuring Form.....	18
Comfysleeve™ 1-75/ComfyLite™/Lympha Jacket™ Measuring Form.....	19
Arm Sleeve Measuring Form.....	20
Quick Reference Guide.....	21-24

Introduction

For over 35 years, Lympha Press® has produced the most-well regarded dynamic compression therapy products for treatment of lymphedema and venous insufficiency.

Our innovative, unique and patent protected overlapping garments are world-famous for their state of the art design, high quality, optimal treatment and comfort. We are proud to be the pioneering leaders in offering groundbreaking garments .

Features:

- Sturdy, high-quality garments designed for maximum patient compliance and comfort.
- Multiple patented overlapping chambers for smooth and effective therapy, without backflow or gaps.
- Innovative, groundbreaking torso garments including pants to treat the abdomen, groin and hip areas as well as full and half jackets to treat areas that accumulate edema after mastectomy or breast-conserving interventions.
- Wide selection of standard garment sizes.
- Individually adjustable, adaptive garments for a perfect fit.
- Easy to put on and remove. Our non-stretch fabric, user friendly design and dynamic compression ensure that the patient will get excellent treatment every time.
- Garments are easy to keep clean. This is important for good hygiene and skin care.

Compliance is the key to successful treatment. Lympha Press® garment design enables easy and comfortable use, for consistent, pleasant and effective treatment, in hospitals, clinics and at home.



Choosing A System For The Lower Body

LEG SLEEVES

- Treats leg[s] only.
- Used when no torso treatment is desired or needed.
- Fits most sizes (expanders are available).

LYMPHA PANTS®

- Treats legs, abdomen, trunk, genitals, hips, and buttocks.
- Adjustable boot design fits most leg lengths. Expanders are available.

LYMPHAPOD®

- Fits larger patients.
- Treats legs, abdomen, trunk, genitals, hips, and buttocks.
- Recommended for sizes as shown below:

Waist: Above 200 cm

Hips: Above 180 cm

Upper thigh: Above 95 cm

SYSTEM COMPATIBILITY FOR LOWER BODY GARMENTS

SYSTEM	4-CHAMBER LEG SLEEVE	PERSONAL™ SLEEVE	8-CHAMBER LEG SLEEVE	COMFYSLLEEVE™ (LEGS)	FL SLEEVE	PCD PANTS™	PCD PANTS LITE™	LYMPHA PANTS®	LYMPHA-POD®
PCD-51™	✓	✓	✓			✓	✓		
LYMPHA PRESS MINI®				✓	✓			✓	
MINI PRESS™				✓	✓			✓	
LYMPHA PRESS OPTIMAL®				✓	✓			✓	✓
OPTIMAL PLUS™				✓	✓			✓	✓

Choosing A System For The Upper Body

ARM SLEEVES

- Treats arm and shoulder.
- Used when no torso treatment is desired or needed.
- Fits most sizes .

COMFYSLLEEVE™ 1-75 AND COMFYSLITE™

- Treats one arm, axilla, shoulder, back, chest, and abdomen.
- Applies compression to one side of torso.
- Applies compression to armpit area.
- Fits most sizes.

LYMPHA JACKET™

- Treats both arms and torso including shoulder, back, chest, and abdomen.
- Applies compression to both sides of torso.

SYSTEM COMPATIBILITY FOR UPPER BODY GARMENTS

SYSTEM	4-CHAMBER ARM SLEEVE	12 CHAMBER ARM SLEEVE	COMFYSLLEEVE™ 1-75	COMFYSLITE™	LYMPHA JACKET™
PCD-51™	✓			✓	
LYMPHA PRESS MINI®		✓	✓		✓
MINI PRESS™		✓	✓		✓
LYMPHA PRESS OPTIMAL®		✓	✓		✓
OPTIMAL PLUS™		✓	✓		✓

Lympha Press® Leg Garments



Our garment design is what makes Lympha Press® therapy so effective.

Features

- Overlapping chambers – our patented system for smooth and effective therapy without backflow or gaps.
- Designed for ease of use.
- Wide selection of standard sizes.



4 Chamber Sleeve

8 Chamber Sleeve

12 Chamber Sleeve

Standard leg sleeves with zippers

Ideal for patients who need a garment that is easy to put on and remove.

Specially designed chambers create a conforming fit with air.

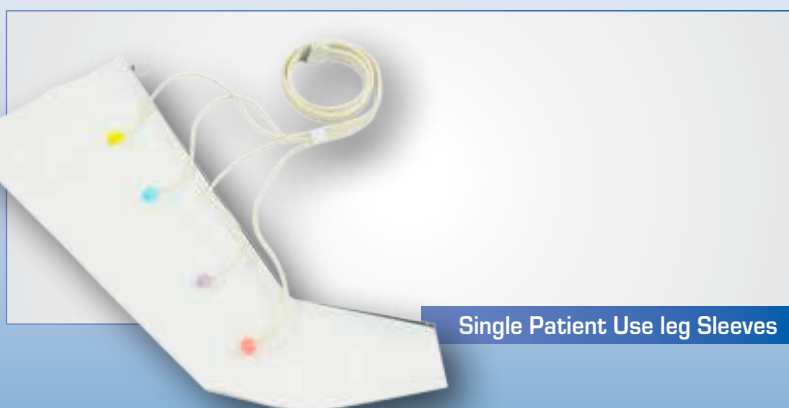
Amputee and custom garments are available.



FL Adjustable Sleeves

FL adjustable sleeve

- 12 overlapping chambers with four chambers over the foot and ankle, for treatment of distal swelling.
- Fully adjustable with hook and loop fasteners for a perfect fit.
- Available in a range of lengths and widths, including extra wide.

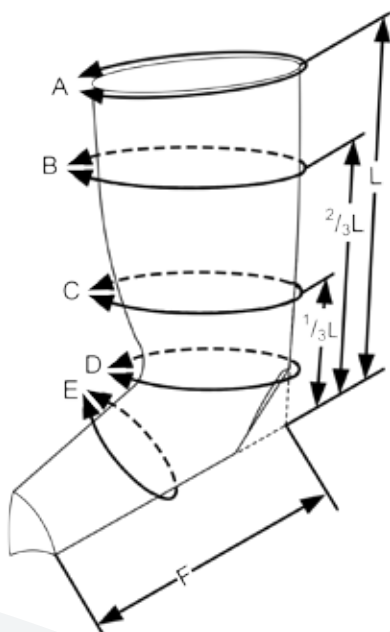


Single Patient Use leg Sleeves

Personal™ single patient use leg sleeves

- Single patient use garments, for short-term treatment.
- Ideal for wound clinics, traumatic edemas, hospital-based care and other short term needs.
- Overlapping chamber construction.
- Disposable, contains no PVC.
- Transition to Lympha Press® 4 or Lympha Press® 8 garments for long term use.

Leg Garments for Lympha Press® PCD-51



Lympha Press® 4 - Four Chamber Leg

			Dimensions							With Expander					
Part No	Model/Size	Width	A	B	C	D	E	F	Length	Model	A	B	C	D	E
L41F2250H	LP4 2-50	Narrow	61	54	46	43	48	26	50	AT	71	64	56	50	52
L41F2275H	LP4 2-75		66	56	46	43	48	26	73	-	-	-	-	-	-
L41F2285H	LP4 2-85		70	60	47	43	48	26	84	-	-	-	-	-	-
L41F2295H	LP4 2-95		80	72	50	43	48	26	95	-	-	-	-	-	-
L41F2365H	LP4 3-65	Medium	78	71	65	50	54	38	65	-	-	-	-	-	-
L41F2375H	LP4 3-75		81	74	66	50	50	38	75	-	-	-	-	-	-
L41F2385H	LP4 3-85		86	80	68	53	51	38	85	-	-	-	-	-	-
L41F2465H	LP4 4-65	Wide	105	98	86	67	60	41	65	FT	119	112	99	72	64
L41F2475H	LP4 4-75		107	98	86	72	60	41	75	FT	121	113	99	77	64
L41F2485H	LP4 4-85		109	105	93	67	60	43	85	GT	123	118	106	71	64

Four chamber leg sleeves are also available with Phlebo Press® brand printing. See the Quick Reference Guide section for part numbers.

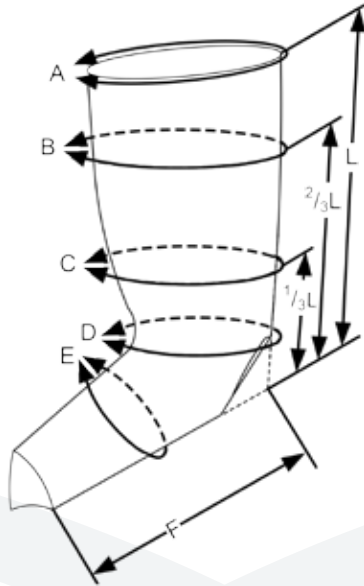
Lympha Press® 8 - Eight Chamber Leg

			Dimensions							With Expander					
Part No	Model/Size	Width	A	B	C	D	E	F	Length	Model	A	B	C	D	E
L41H2365	LP8 3-65	Medium	78	72	60	52	50	35	65	-	-	-	-	-	-
L41H2375	LP8 3-75		80	76	60	52	50	35	75	-	-	-	-	-	-
L41H2385	LP8 3-85		86	80	70	52	50	35	85	-	-	-	-	-	-
L41H2475	LP8 4-75	Wide	102	100	84	66	58	43	75	FT	116	114	97	71	62

Personal™ 4 - Four Chamber Leg Sleeves for Short-Term, Single Patient use

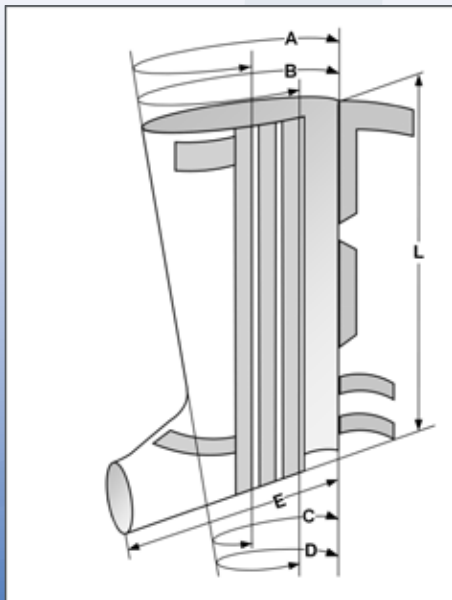
			Dimensions							
Part No	Model/Size	Width	A	B	C	D	E	F	Length	
L41P0250	SPU 2-50	Narrow	57	54	46	43	48	26	50	
L41P0265	SPU 2-65		61	52	46	43	48	26	65	
L41P0275	SPU 2-75		66	56	45	43	48	26	73	
L41P0285	SPU 2-85		70	60	47	43	48	26	84	
L41P0375	SPU 3-75	Medium	85	76	61	56	54	37	75	
L41P0485	SPU 4-85	Wide	109	105	93	67	60	43	85	
L2A005A2	Hose Bundle for Personal™	Reusable hose bundle for use with personal leg sleeves. Detach before disposing of sleeve.								

Leg Garments for Lympha Press® 12 Chamber Devices



Comfysleeve® Twelve Chamber Zipper Leg

Part No	Model/Size	Width	Dimensions							With Expander					
			A	B	C	D	E	F	Length	Model	A	B	C	D	E
L41L2275	COMFY 2-75	Narrow	66	56	46	43	48	26	75	BT	76	66	56	48	52
L41L2285	COMFY 2-85		70	60	47	43	48	26	85	CT	80	70	56	49	52
L41L2295	COMFY 2-95		80	72	50	43	48	26	95	ET	90	82	60	49	52
L41L2365	COMFY 3-65	Medium	81	73	60	56	54	37	65	BT	91	83	70	59	60
L41L2375	COMFY 3-75		85	76	61	56	54	37	75	CT	95	86	71	59	60
L41L2385	COMFY 3-85		90	80	64	56	54	37	85	DT	100	90	73	59	60
L41L2475	COMFY 4-75	Wide	107	99	86	67	60	41	75	FT	121	113	99	77	64



FL Adjustable Twelve Chamber Hook and Loop Leg

Part No	Model/Size	Width	A - B (Top)	C - D (Ankle)	Length	Instep (E)
L4132075	FL 2-75	Narrow	60 - 70	40 - 50	75	30
L4132085	FL 2-85		66 - 76	40 - 50	85	
L4132095	FL 2-95		70 - 80	40 - 50	95	
L41330105	FL 2-105		74 - 84	40 - 50	105	
L4133075	FL 3-75	Medium	66 - 76	43 - 53	75	34
L4133085	FL 3-85		70 - 80	43 - 53	85	
L4133095	FL 3-95		74 - 85	43 - 53	95	
L41330105	FL 3-105		80 - 90	43 - 53	105	
L4134075	FL 4-75	Wide	78 - 90	56 - 68	75	36
L4134085	FL 4-85		88 - 96	56 - 68	85	
L4134095	FL 4-95		90 - 108	56 - 68	95	
L4Z5A030	FL Expander 30X30 cm. Adds up to 20 cm. circumference.					

Lympha Press® Arm Garments



12 Chamber Arm Sleeve

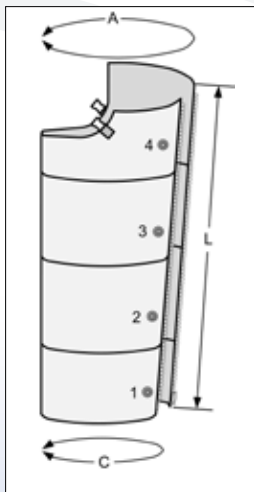
Our special design makes arm and shoulder treatment comfortable and easy.

- New 12 chamber arm-shoulder sleeve provides therapy to the entire shoulder area as well as the arm. Its proprietary design treats right or left arms with a single garment.



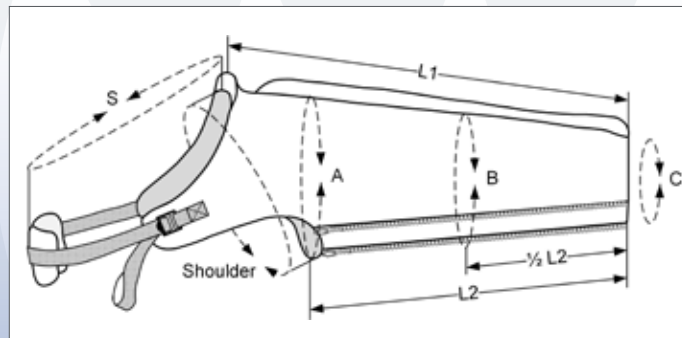
4 Chamber Arm Sleeve

- The 4-chamber arm sleeve has an axilla cutout so that the shoulder is treated along with the arm.



LYPHA PRESS® 4 - FOUR CHAMBER ARM

Part No.	Model/Size	A (Upper Arm)	C (Distal End)	Length
L41F1290H	LP4ARM M/L	58	41	88
L415A087	Expander C	Adds 10 cm to the circumference of the sleeve		



LYPHA PRESS® 12 - TWELVE CHAMBER ARM (WITH SHOULDER)

This garment has two zippers, for adjustment of the circumferential fit. The measurements indicated are the maximum (outmost zipper)

Part No.	Model/Size	Circumference					Length		
		A (Upper Arm)	B	C (Distal End)	Shoulder	Strap (S)	L1	L2	1/2 L2
L41111C2	LP12 ARM M	63	49	41	76	92-156	91	72	36
L41111C3	LP12 ARM L	74	56	49	88	92-165	106	91	40

Lympha Pants[®], PCD Pants[™] and PCD Pants Lite[™]



Lympha Pants[™]

MODEL	CAT. No.	EXPANDERS	CAT. No
Lympha Pants [™]	L4MP2120C	Pants Expanders (pair)	L4Z5LPO0
Lympha Pants XL [™]	L4MP2226C		L4Z5LPO0



PCD Pants[™]



PCD Pants[™] Lite

MODEL	CAT. No.	EXPANDERS	CAT. No
PCD Pants [™]	L4MPH002	Pants Expanders (pair)	L4Z5LPO0
PCD Pants Lite [™]	L4MPH003		L4Z5LPO0

Complete lower body therapy with custom boot feature

Designed on the principles of manual lymph drainage, these garments treat the lower body including the entire trunk, abdomen, hips, and genital area. Our patented “custom boot” feature forms a boot to fit each patient’s individual leg length and foot shape.

Lympha Pants[®], Lympha Pants[®] XL, and PCD Pants[™] have three zippers to accommodate different sizes. PCD Pants Lite[®] has one zipper and conforms to most sizes.

Expanders are available for all garments.

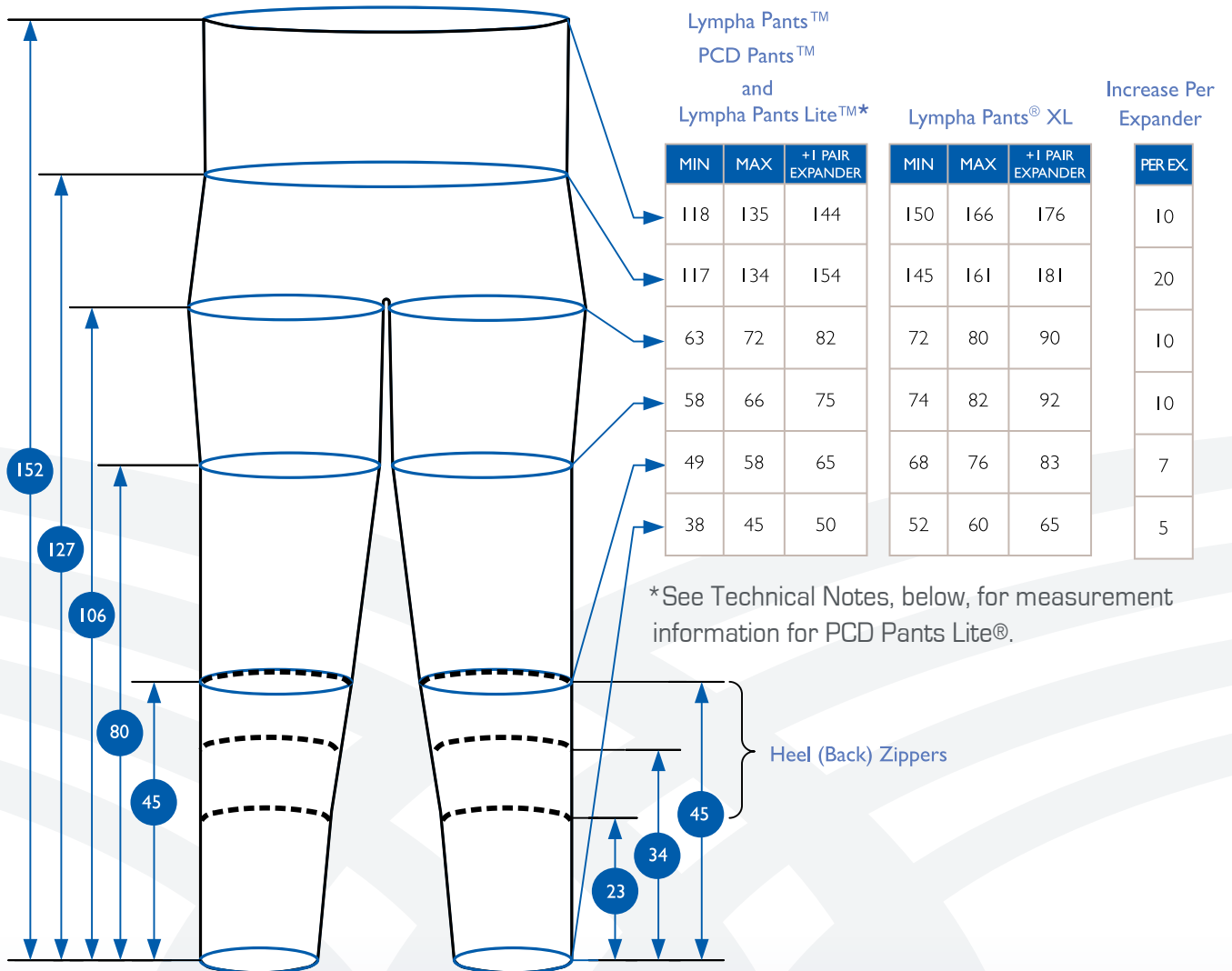
Features:

- Treats the entire lower body, including the abdomen, lower back, hips, and the genital area.
- Adjustable boot accommodates most leg lengths.
- Easy to use – like wearing a pair of pants!

System Compatibility

- Lympha Pants[™] are for use with Lympha Press[®] 12 chamber systems.
- PCD Pants[™] and PCD Pants Lite[™] are for use with PCD-51[™].

Pants Size Information



Dimensional data is in centimeters [cm].

Technical Notes:

- Lympha Pants™ and PCD Pants™ have three zipper fasteners for circumferential adjustment, with the MIN circumference at the inner zipper position and the MAX circumference at the outer zipper position.
- PCD Pants Lite™ have a single zipper fastener on each side. The circumferential measurements for PCD Pants Lite™ are the same as the MAX measurements for Lympha Pants™ and PCD Pants™.



LymphaPod®

MODEL	CAT. No.
LymphaPod® Left Hose Exit	L4MP800L
LymphaPod® Right Hose Exit	L4MP800R
LymphaPod® Left Expander	L41580AL
LymphaPod® Right Expander	L41580AR

Designed specifically for the larger patient.

Larger patients with lymphedema have special needs. Their lymphedema often appears on the upper thighs, hips, and abdomen – areas that cannot be treated with standard leg garments. Larger patients also often have limited mobility.

LymphaPod® is a home care system designed for larger patients. It treats the entire lower body, including legs, hips, and abdomen. It conforms to irregular limbs and shapes and is designed for ease of use by patients with limited mobility.

LymphaPod® is a one-size garment and is available with hose attachments to the right side or the left side for easy patient access. Please specify hose side when ordering.

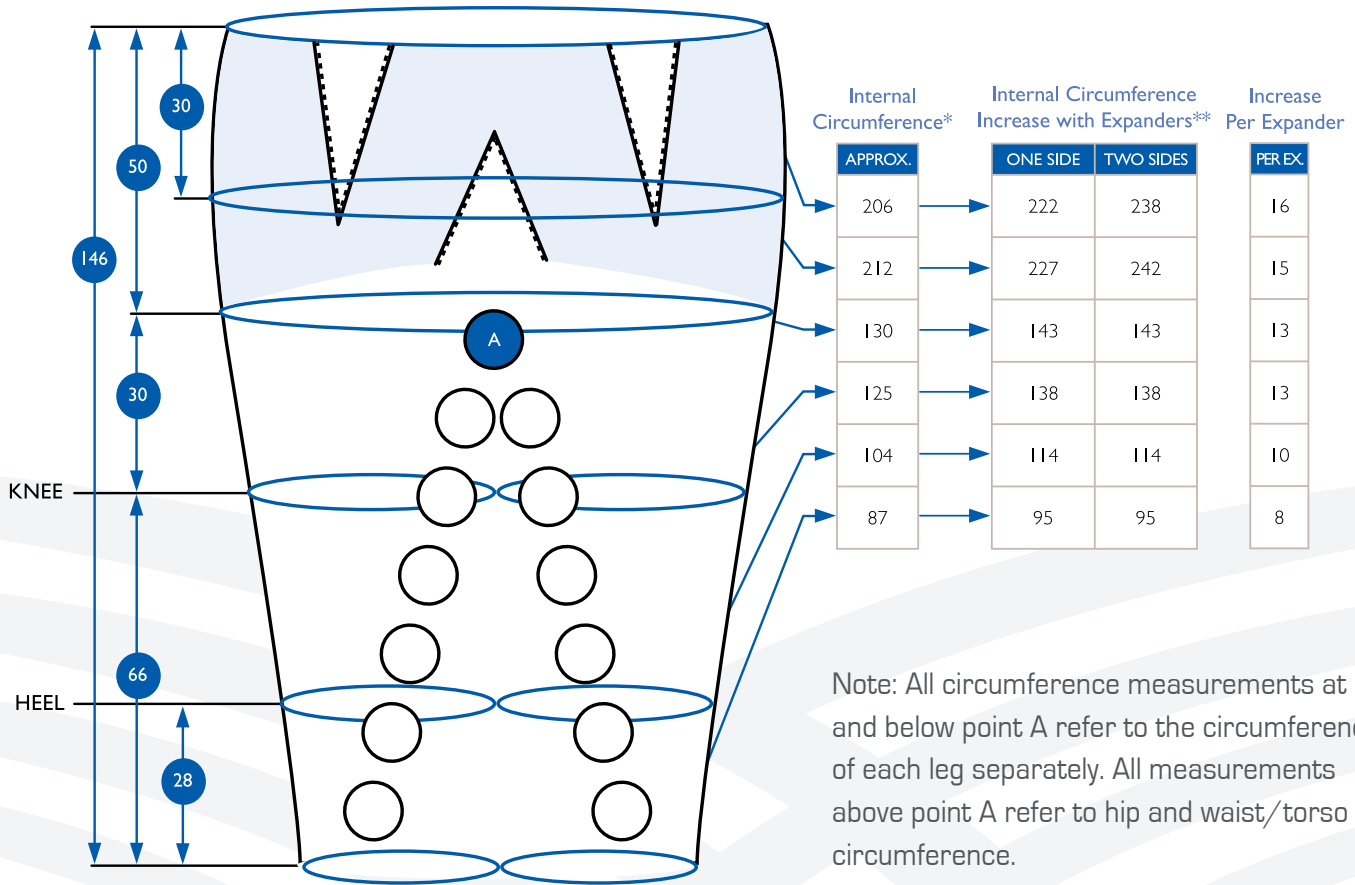
Features:

- Treats the entire lower body including hips, abdomen, and buttocks.
- Special emphasis on the inner thigh to treat lobules.
- Designed for use by patients with limited mobility (some patients may need assistance).
- One size fits most patients from 150 to 330 + Kgs.
- 40 overlapping air chambers.

System Compatibility

- LymphaPod® can be used with Lympha Press Optimal® and Lympha Press Optimal® Plus

Lympha Pod® Size Information



TECHNICAL NOTES

- Lympha Pod® can be used only with Lympha Press Optimal® and Lympha Press Optimal® Plus.
- Lympha Pod® garments are available with hoses exiting from the right or left side of the garment.
- Dimensional data is in centimeters [cm].
- Expanders are sold individually - specify LEFT or RIGHT.

* Location of patient landmarks will vary depending on height and leg length.

** Leg measurements for side with expander added.

ComfySleeve™ 1-75 and ComfyLite™



ComfySleeve™ 1-75

MODEL ComfySleeve™ [12 chambers] Select Side Treated	CAT. No. For Left Arm and Torso: L41LO175L Left Arm + Vest For Right Arm and Torso: L41LO175R Right Arm+Vest
Select: Small Fastener	For Left Arm: L42LOFSL For Right Arm: L42LOFSR
Select: Medium Fastener	For Left Arm: L42LOFML For Right Arm: L42LOFMR
Select: Large Fastener	For Left Arm: L42LOFLL For Right Arm: L42LOFLR



ComfyLite™

MODEL ComfySleeve™ [8 chambers] Use for either arm (not sided)	CAT. No. L41LT100 Arm +Vest
Select: Small Fastener	For Left Arm: L42LOFSL For Right Arm: L42LOFSR
Select: Medium Fastener	For Left Arm: L42LOFML For Right Arm: L42LOFMR
Select: Large Fastener	For Left Arm: L42LOFLL For Right Arm: L42LOFLR

Simplifying treatment for postmastectomy lymphedema.

ComfySleeve™ 1-75 (12 Chambers) and ComfyLite™ (8 Chambers) treat the entire arm, shoulder, and one side of the back, chest, and abdomen.

ComfySleeve™ 1-75 and ComfyLite™ provide gentle, targeted therapy to the axilla (armpit), to assist lymphatic drainage.

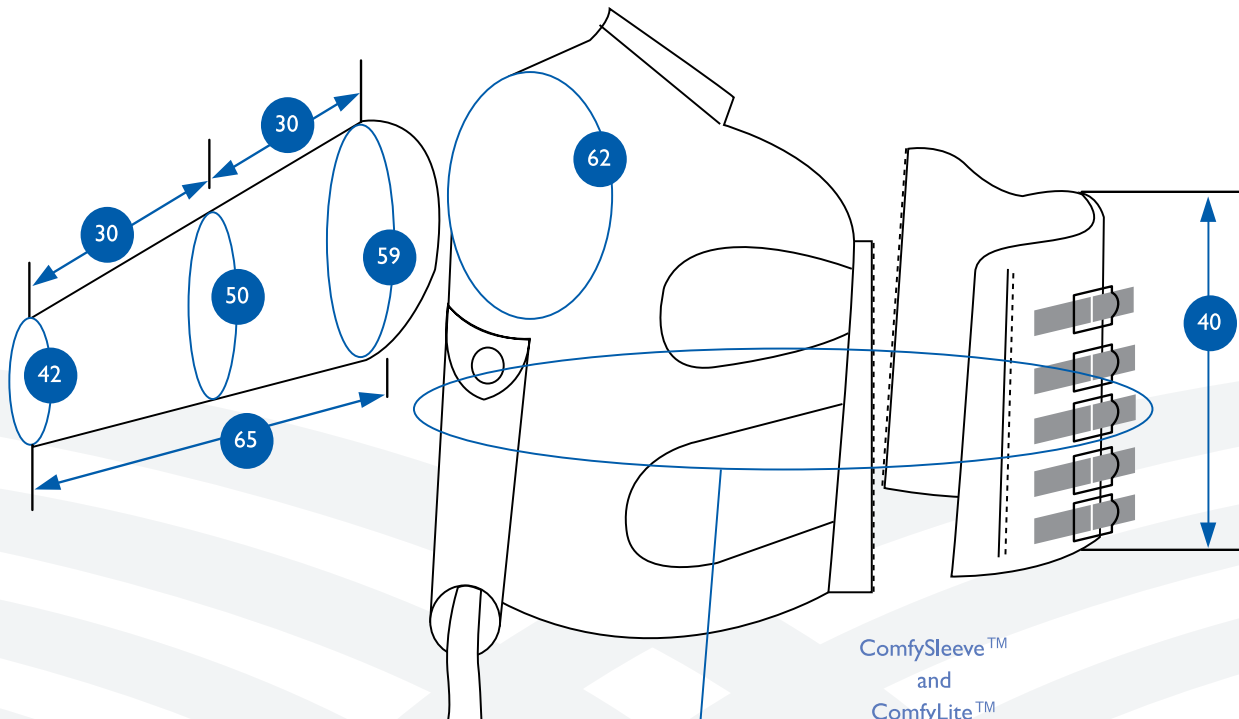
Features:

- Treats arm, chest, shoulder, back, and abdomen.
- Conforms to the patient's body shape, with targeted compression to the armpit area.
- Easy to put on and remove.
- Easy to clean for good hygiene.
- Modular system is cost effective and easy to use.
- Change the size and side of the garment by switching fasteners.

System Compatibility

- ComfySleeve™ 1-75 is for use with Lympho Press® 12 chamber systems.
- ComfyLite™ is for use with PCD-51™.

ComfySleeve™ 1-75 and ComfyLite™ Size Information



Fastener Sizing

ITEM	MIN	MAX
SMALL FASTENER	31	41
MEDIUM FASTENER	36	51
LARGE FASTENER	48	66

Arm/Torso
Circumference

ONE SIZE
74

ComfySleeve™
and
ComfyLite™

SIZE	MIN	MAX
S	105	115
M	110	125
L	122	140

TECHNICAL NOTES

- Size can be changed by switching fasteners.
- Dimensional data is in centimeters [cm].

Lympha Jacket™



Treatment for both arms, together with bilateral shoulders, chest, back, and abdomen.

The Lympha Jacket™ treats both arms together with the entire upper body (chest, shoulders, back, and abdomen) according to the principles of manual lymph drainage.

Features:

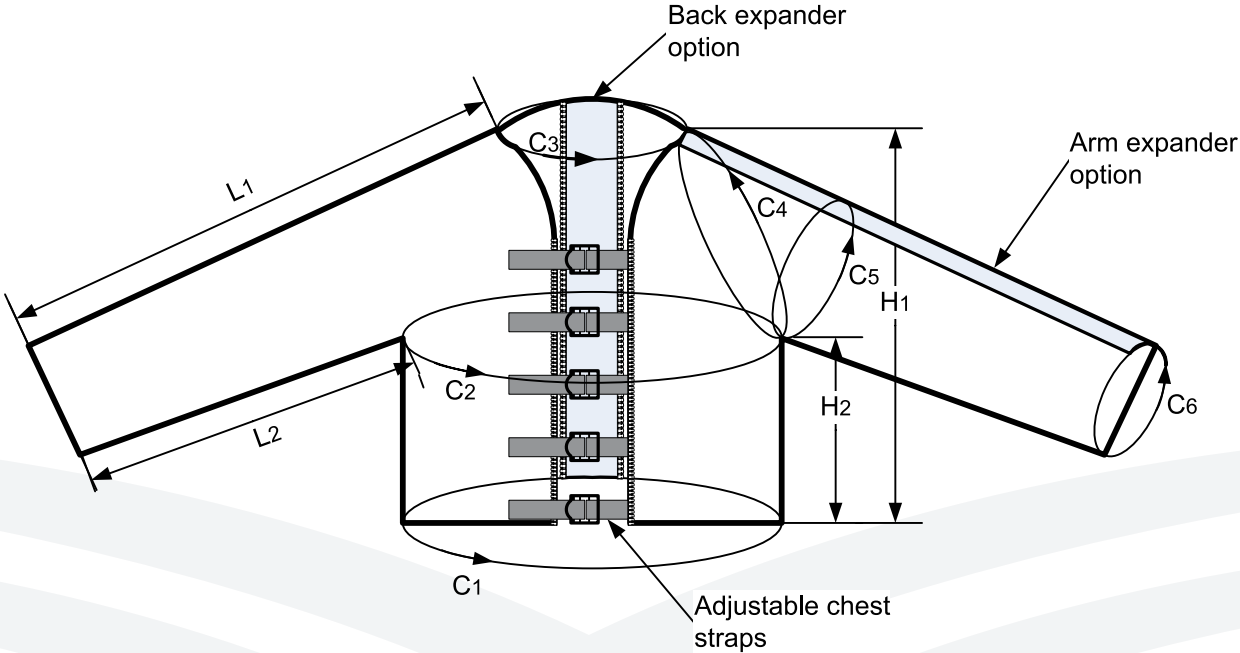
- Complete bilateral torso therapy.
- Treats both arms simultaneously.
- 24 overlapping chambers prevent reflux and promote directional flow to healthy lymphatics.
- Easy to put on and take off, just like a regular jacket.
- Easy to clean for good hygiene and skin care.

System Compatibility

- For use with Lympha Press® 12 chamber systems.

MODEL Specify Left, Right, or Bilateral	CAT. No.
Short Arm Jacket	Jacket: L4MJ2125
Long Arm Jacket	Jacket: L4MJ2135

Lympha Jacket™ Garment Dimensions



						Adjustable Front Straps		Arm/Shoulder								
Part No	Model/Size	L1	L2	H1	H2	C1/C2	C3	C4	C5	C6						
L4MJ2125	Lympha Jacket, Short Arm	80	57	60	29	105 - 123	48 - 64	68	48	40						
L4MJ2135	Lympha Jacket, Long Arm	96	72													
Versatile Expander Options																
L4Z52121	Expander Set for Lympha Jacket, Short Arm. Contains three expanders (1 back expander, 2 arm expanders)				Each expander adds 10 cm to circumference.											
L4Z52130	Expander Set for Lympha Jacket, Long Arm. Contains three expanders (1 back expander, 2 arm expanders)															
L4150542	Jacket Expander, Back															
L4150822	Jacket Expander, Short Arm															
L4150823	Jacket Expander, Long Arm															
L415T510	Jacket Expander, Triangular										Extra wide back expander for large abdomens					
L410T510	Jacket Expander, Chest										Zips on the front, adds 15 cm to torso circumference.					

Garment Fitting Tips

Follow these simple tips to ensure your garment has the best fit for the most effective results.



- Measure the patient while the patient is in the treatment position.
- Obtain all the measurements requested on the Measuring Form. Indicate the position of any unusual protrusions, lobules or landmarks.
- The garments will shorten slightly in length as they inflate. You may wish to select garment that is slightly longer than the patient's length measurements.
- The garment should not fit tightly at any point. If the patient's circumference is near maximum at any point, choose a wider garment or add an expander insert.

Pants and Lympha Pod® Measuring Form

Date _____ Patient Name _____ Physician Name _____

LENGTH

A

B

CIRCUMFERENCE

UPPER WAIST

HIPS

LEFT RIGHT

C

D

E

F

G

GROIN

MID THIGH

KNEE

CALF

ANKLE

INSTEP

Length Measured from Zero Point

ZERO POINT

FOOT LENGTH

MEASUREMENTS IN:

CM INCHES

Notes: _____

Leg Sleeve Measuring Form

Date _____ Patient Name _____ Physician Name _____

	LEFT	RIGHT
A	<input type="text"/>	<input type="text"/>
B	<input type="text"/>	<input type="text"/>
C	<input type="text"/>	<input type="text"/>
D	<input type="text"/>	<input type="text"/>
E	<input type="text"/>	<input type="text"/>
F	<input type="text"/>	<input type="text"/>
G	<input type="text"/>	<input type="text"/>

Length Measured from Zero Point

	LEFT	RIGHT
GROIN	<input type="text"/>	<input type="text"/>
UPPER 1/3 THIGH	<input type="text"/>	<input type="text"/>
LOWER 1/3 THIGH	<input type="text"/>	<input type="text"/>
KNEE	<input type="text"/>	<input type="text"/>
CALF	<input type="text"/>	<input type="text"/>
DISTAL GASTROC	<input type="text"/>	<input type="text"/>
ABOVE ANKLE BONE	<input type="text"/>	<input type="text"/>
INSTEP	<input type="text"/>	<input type="text"/>
JOINT LINE	<input type="text"/>	<input type="text"/>
FOOT LENGTH	<input type="text"/>	<input type="text"/>

MEASUREMENTS IN:

CM INCHES

Notes: _____

Comfysleeve™ 1-75/ComfyLite™/Lympha Jacket™ Measuring Form

Date _____ Patient Name _____ Physician Name _____

CIRCUMFERENCE

	LEFT	RIGHT
SHOULDER	<input type="text"/>	<input type="text"/>
SHOULDER	<input type="text"/>	<input type="text"/>
WRIST	<input type="text"/>	<input type="text"/>
ELBOW	<input type="text"/>	<input type="text"/>
CHEST	<input type="text"/>	<input type="text"/>
WAIST	<input type="text"/>	<input type="text"/>
HIPS	<input type="text"/>	<input type="text"/>

LENGTH A		LENGTH B		LENGTH C	
LEFT	RIGHT	LEFT	RIGHT	LEFT	RIGHT
<input type="text"/>	<input type="text"/>	<input type="text"/>	<input type="text"/>	<input type="text"/>	<input type="text"/>

MEASUREMENTS IN:
 CM INCHES

Notes: _____

Arm Sleeve Measuring Form

Date _____ Patient Name _____ Physician Name _____

		CIRCUMFERENCE	
		LEFT	RIGHT
A	<input type="text"/> <input type="text"/>	<input type="text"/>	<input type="text"/>
B	<input type="text"/> <input type="text"/>	<input type="text"/>	<input type="text"/>
C	<input type="text"/> <input type="text"/>	<input type="text"/>	<input type="text"/>
D	<input type="text"/> <input type="text"/>	<input type="text"/>	<input type="text"/>
E	<input type="text"/> <input type="text"/>	<input type="text"/>	<input type="text"/>
F	<input type="text"/> <input type="text"/>	<input type="text"/>	<input type="text"/>

Length Measured from Zero Point

The diagram shows a right arm and hand. A horizontal line at the top is labeled 'ZERO POINT'. Vertical arrows labeled A through F indicate lengths from this point to various locations: A (top of shoulder), B (across chest), C (across elbow), D (across mid-forearm), E (across wrist), and F (across palm). On the right side, horizontal arrows point to circumference measurement points: AXILLA (under the arm), BICEP (across upper arm), ELBOW (across elbow), MID FOREARM (across middle of forearm), WRIST (across wrist), and PALM (across palm).

MEASUREMENTS IN:

CM INCHES

Notes: _____

Quick Reference Guide

Garments and Accessories for use with Lympha Press® PCD-51™ 4 Chamber Systems

Leg and Arm Sleeves with 4 Chambers	See Pages 4 and 7
Lympha Press® 4 Leg Size 2-50	L41F2250H
Lympha Press® 4 Leg Size 2-75	L41F2275H
Lympha Press® 4 Leg Size 2-85	L41F2285H
Lympha Press® 4 Leg Size 2-95	L41F2295H
Lympha Press® 4 Leg Size 3-65	L41F2365H
Lympha Press® 4 Leg Size 3-75	L41F2375H
Lympha Press® 4 Leg Size 3-85	L41F2385H
Lympha Press® 4 Leg Size-65	L41F2465H
Lympha Press® 4 Leg Size 4-75	L41F2475H
Lympha Press® 4 Leg Size 4-85	L41F2485H
Lympha Press® 4 Arm Size M/L	L41F1290H
Phlebo Press® Leg Size 2-50	L41P2250H
Phlebo Press® Leg Size 2-75	L41P2275H
Phlebo Press® Leg Size 2-85	L41P2285H
Phlebo Press® Leg Size 2-95	L41P2295H
Phlebo Press® Leg Size 3-65	L41P2365H
Phlebo Press® Leg Size 3-75	L41P2375H
Phlebo Press® Leg Size 3-85	L41P2385H
Phlebo Press® Leg Size 4-65	L41P2465H
Phlebo Press® Leg Size 4-75 -	L41P2475H
Phlebo Press® Leg Size 4-85	L41P2485H
Phlebo Press® Arm Size M/L	L41P1290H
AT Expander (for 2-50 Leg)	L415T056
FT Expander (for 4-65 and 4-75 Leg)	L415T465
GT Expander (for 4-85 Leg)	L415T485
C Expander (for M/L Arm)	L415A087

Leg Sleeves with 8 Chambers	See Page 4
Lympha Press® 8 Leg Size 3-65	L41H2365
Lympha Press® 8 Leg Size 3-75	L41H2375
Lympha Press® 8 Leg Size 3-85	L41H2385
Lympha Press® 8 Leg Size 4-75	L41H2475

Personal™ Leg Sleeves	See Page 4
Personal Leg Size 2-50	L41P0250
Personal Leg Size 2-65	L41P0265
Personal Leg Size 2-75	L41P0275
Personal Leg Size 2-85	L41P0285
Personal Leg Size 3-75	L41P0375
Personal Leg Size 4-85	L41P0485
Hose Bundle for Personal Sleeves	L2A005A1

Comfylite™ 8 Chamber Half Jacket	See Page 12
Comfylite™ Arm +Vest (no fastener)	L41LT100
Size S Fastener for Left Arm Treatment	L42LOFSL
Size S Fastener for Right Arm Treatment	L42LOFSR
Size M Fastener for Left Arm Treatment	L42LOFML
Size M Fastener for Right Arm Treatment	L42LOFMR
Size L Fastener for Left Arm Treatment	L42LOFLL
Size L Fastener for Right Arm Treatment	L42LOFLR

PCD Pants™ and PCD Pants Lite™	See Page 8
PCD Pants™	L4MPH002
PCD Pants Lite™	L4MPH003
PCD Pants™ Expanders (pair)	L4Z5LP00

Garments and Accessories for use with Lympha Press Optimal®, Lympha Press Optimal® Plus, Lympha Press® Mini and Lympha Press® Mini Press 12/24 Chamber Systems

12-Chamber Extremity Garments	See Page 4
Comfysleeve® Zipper Leg 2-75	L41L2275
Comfysleeve® Zipper Leg 2-85	L41L2285
Comfysleeve® Zipper Leg 2-95	L41L2295
Comfysleeve® Zipper Leg 3-65	L41L2365
Comfysleeve® Zipper Leg 3-75	L41L2375
Comfysleeve® Zipper Leg 3-85	L41L2385
Comfysleeve® Zipper Leg 4-75	L41L2475
BT Expander (for Comfysleeve 2-75, 3-65)	L415T078
CT Expander (for Comfysleeve 2-85, 3-75)	L415T087
DT Expander (for Comfysleeve 3-85)	L415T097
ET Expander (for Comfysleeve 2-95)	L415T101
FT Expander (for Comfysleeve 4-75)	L415T465
FL Adjustable Leg 2-75	L4132075
FL Adjustable Leg 2-85	L4132085
FL Adjustable Leg 2-95	L4132095
FL Adjustable Leg 2-105	L4132105
FL Adjustable Leg 3-75	L4133075
FL Adjustable Leg 3-85	L4133085
FL Adjustable Leg 3-95	L4133095
FL Adjustable Leg 3-105	L4133105
FL Adjustable Leg 4-75	L4134075
FL Adjustable Leg 4-85	L4134085
FL Adjustable Leg 4-95	L4134095
FL Expander 30X30 cm.	L4Z5A030

LymphaPants™ and LymphaPants XL™	See Page 8
Lympha Pants™	L4MP2120C
Lympha Pants XL™	L4MP2226C
Lympha Pants™ Expander	L4Z5LP00

Comfysleeve™ 1-75 Half Jacket Modular System	See Page 12
Comfysleeve® 1-75 Left Arm +Vest (no fastener)	L41L0175L
Comfysleeve® 1-75 Right Arm +Vest (no fastener)	L41L0175L
Size S Fastener for Left Arm Treatment	L42LOFSL
Size S Fastener for Right Arm Treatment	L42LOFSR
Size M Fastener for Left Arm Treatment	L42LOFML
Size M Fastener for Right Arm Treatment	L42LOFMR
Size L Fastener for Left Arm Treatment	L42LOFLL
Size L Fastener for Right Arm Treatment	L42LOFLR

Lympha Jacket™	See Page 14
Lympha Jacket™ Short Arm	L4MJ2125
Lympha Jacket™ Long Arm	L4MJ2135
Expander Set for Short Arm Jacket	L4Z52121
Expander Set for Long Arm Jacket	L4Z52130
Jacket Expander for Back	L4150542
Jacket Expander for Arm of Short Arm Jacket	L4150822
Jacket Expander for Arm of Long Arm Jacket	L4150823
Jacket Expander for Back Triangular	L415T510
Jacket Expander for Chest	L4150510

LymphaPod®	See Page 10
LymphaPod® Left Hose Exit	L4MP800L
LymphaPod® Right Hose Exit	L4MP800R
LymphaPod® Expander Left	L41580AL
LymphaPod® Expander Right	L41580AR

The logo for Lympha Press, featuring the company name in a blue sans-serif font with a registered trademark symbol. To the right of the text is a stylized graphic consisting of several concentric, overlapping blue arcs that resemble a signal or a pulse.

Lympha Press[®]

Improving patient lives worldwide
for more than 35 years





MEGO AFEK
AC LTD.

info@lympha-press.com | www.lympha-press.com
www.megoafek.com | info@megoafek.com